

HELPFUL HINTS

Do not leave the rechargeable battery connected to the phone without the power supply or other power connected. Charge battery for 48 hours before use as emergency backup.

To **minimize** AC and motor **noise** in the system, always use **shielded grounded** (at phone end only) **wire** as indicated. Be sure ground is a good return.

Phone number hints:

Check to see if you need to dial the area code or 1 before the number.

On PBX systems you may have to put a 9 or 8 and a pause (*) before the phone number. Also you may need to set the timer to "02" or "03" for proper shutoff.

SPECIFICATIONS:

Physical Dimensions

Sentry II:
-Box 9.5" (24.1 cm) X 4.75" (12.1 cm) X 2.0" (5.1 cm)

Liberator II:
-Box 9.5" (24.1cm) X 6.875" (17.5cm) X 1.0" (2.6cm)

Fortress II:
-Front Plate: 12.5" (31.8cm) X 10" (25.4cm) X 0.125" (0.3 cm)
-Rear Enclosure: 9.7" (24.6cm) X 6.6" (16.8cm) X 2.3" * (5.8cm*) (* Including projecting hardware = 0.2".)
-Rough cut: 10" X 6" (25.4cm X 17.8cm)

Commander II:
-Mounting plate:
Std: 9.5" (24.1cm) X 4.75" (12.1 cm) X 2.0" (5.1cm)
U model: 7" (17.8 cm) X 4.75" (12.1 cm) X 1.5" (38.1 cm)

Weight -Sentry II: 2.5 pounds (5.5 kg)
-Liberator II: 3.2 pounds (7 kg)
-Fortress II: 6.5 pounds (14.3 kg)
-Commander II: 1 pound (2.2 kg)

Power Requirements:

-Input voltage 120 VAC, Current 0.5 A, Frequency 60 Hz
-Emergency back-up power for up to 4 hours from an internal battery NiCad rechargeable battery.
-Optional: 6 VDC (connector on board), 12VDC or 24VDC

Maximum phones per line - recommended:
6 SUREphones per standard analog POTS line

**THE INFORMATION BELOW IS IMPORTANT.
YOU MUST HAVE THE SERIAL NUMBER
AVAILABLE WHEN CALLING TECH SUPPORT.**

K-Tech International Inc. SERIAL #
Part # PCB036/038 Rev. ____ 5 _ _ _ _

Serial Number: _____

Date Installed: _____

Installed by: _____

Phone Line #: _____

Phone line Voltage: 48VDC (POTS or CO line)
 24VDC (PBX System)
 Other _____

Phone Number(s) Dialing:

1. _____

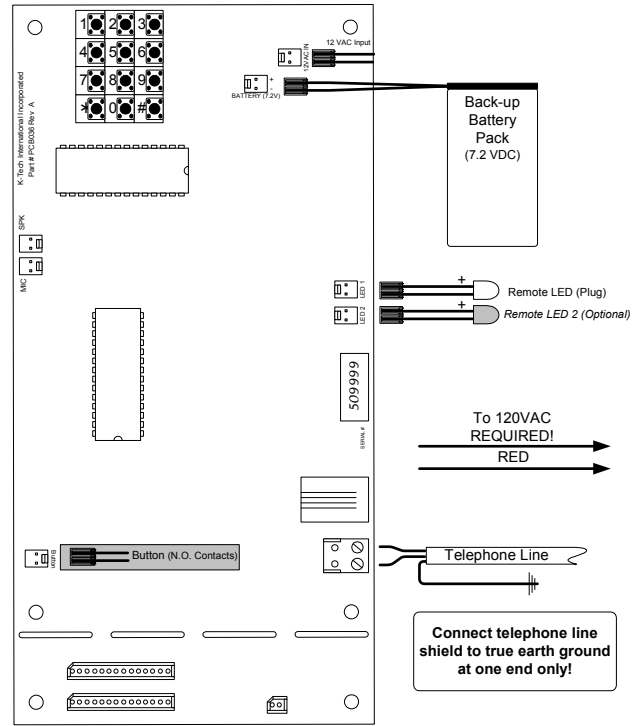
2. _____

3. _____

4. _____

5. _____

Voice message



ET901 Installation Guide

**Keep This Booklet for
Reference**

Additional information is available at
www.KTechOnline.com

KD K-Tech International, Inc
56 Ella Grasso Ave
Torrington, CT 06790 USA
Phone (860) 489-9399
Phone: 1-800-993-9399
Fax (860) 489-4399
Email: support@KTechOnline.com

READ THIS BEFORE INSTALLING!

Having a proper telephone line is important to ensure a quick and trouble-free installation.

Please check off and record pertinent information for future reference.

- Record the phone number for the phone line. This is the number that will be needed to call into the K-Tech phone. (see back panel)
- Phone line must be an analog Central Office (CO), Plain Old Telephone Service line (POTS) or Analog Private Branch eXchange (PBX). All special features such as call waiting and call forwarding should be disabled. K-Tech cannot guarantee performance on proprietary PBX or Centrex configured lines.
- Phone line must be a DTMF line with dial tone.
- Phone line voltage between 24 - 51 volts.
- Phone line amperage - 20 mA minimum.
- No other equipment should be sharing the phone line. (This may be a safety code issue.) Example - Fax, modem, etc.
- The phone line should be equipped with a CPC or wink signal in order for the phone to shut off when the operator hangs up.
- Phone wire should be twisted shielded pair in the traveling cable and other places where possible. 18 - 20 AWG size recommended. Shielding should be grounded at one end only.
- Confirm there is no measurable induced AC voltage on the phone line.
- The line should be properly grounded and protected by the phone company against voltage surges such as lightning strikes. Note, extra protection may be required in the machine room or if on a PBX system.

MOUNTING, WIRING, and SET-UP

Tools required:

Flathead screwdriver/Philips screwdriver
 Drill for # 8 sheet metal screw
 1/4" nutdriver (Fortress), wirecutter/stripper
 Wire Crimpers for AC terminals

MOUNTING



ET901A



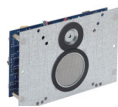
ET901A-LPSS



ET1901A



ET901A-OEM



ET901A-OEM
 Universal

Sentry and Liberator (Surface Mount):

- A. Remove the phone's rear enclosure.
- B. Using the rear enclosure as a template mark the mounting screw hole locations.
- C. Drill holes for the #8 screws (included).
- D. Mount the back cover to the mounting surface placing the **ground lug** (included) **under** one of the screws.

Fortress (Flush Mount):

- A. Determine the location for the K-Phone front plate on the car station panel or other suitable surface.
- B. Cut out a 10" high X 6" wide opening to allow for the dust cover.
- C. Position the unit in the hole and use the face plate as a template to locate the mounting screw holes.
- D. Drill holes for the # 8 screws (included).
- E. Remove the dust cover from the back of the Fortress plate by removing the two nuts and lockwashers.

Commander (COP Mount):

- A. If studs are not present, use the plate as a template to mark the stud locations. Install studs.
- B. Mount the OEM plate to the panel. Make sure the cover is as tight to the panel as possible to avoid feedback and oscillations (squealing) between the microphone and speaker.
- C. Connect the remote push-button (not included) to the appropriate wire going to the phone board receptacle marked BUTTON.
- D. Install the included LED(s) or connect the remote light to the appropriate wire going to the phone board receptacle marked LED.

WIRING and SET-UP

Finishing:

1. If not already installed, connect the battery to the phone by plugging it in to the location labeled "Battery (7.2V)"
2. Check all other plugs to be sure they are seated: LED, speaker, button, and microphone, AC power.
3. CONNECT THE (RED) TRANSFORMER WIRES TO 120VAC PER LOCAL ELECTRICAL CODE. Butt connectors are supplied. Phone should reply "SUREphone—Power installed"
4. Hook up phone line
5. Program the phone - See Programming Quick Guide
6. Remount dust cover to back of phone or mount phone to enclosure as required
7. Test Phone—See Programming Quick Guide

Multiple Phones on a Single Line:

When installing multiple phones on a single line, the phone line wires are wired in parallel. K-Tech recommends a terminal block rather than wire nuts for the junction(s).

NO CPC SIGNAL?

If there is no CPC signal then the phone needs to be shut off manually by pressing * # or by the built in timer (Feature 4, * 4, Default = 05 or 5 minutes)

FCC Information

The K-Tech ET901 Series meets FCC15 and 68 standards, IC and ETL approval.

FCC Registration # ERC-USA-32789-TE-T
 REN (Ringer Equivalence Number) 0.0

NOTICE: IMPORTANT NiCad BATTERY INFORMATION

Never dispose of a NiCad battery in a fire. This may cause an explosion. NiCad rechargeable batteries must be recycled or disposed of properly as indicated on the sticker on each battery. If battery is broken or shows signs of leakage do not attempt to charge it. NiCad batteries are capable of delivering high currents when shorted.

