

HELPFUL HINTS

Battery is for backup power only.

Phone must be powered with 120VAC.

COP mount phones should have no gap between the phone and the fixture.

To minimize AC and motor noise in the system, always use shielded wire for the phone line. Grounded at one end only.

Phone number hints:

Check to see if you need to dial the area code or 1 before the number.

On PBX systems you may have to put a 9 or 8 and a pause (*) before the phone number. Also you may need to set the timer to "02" or "03" for proper shutoff.

SPECIFICATIONS

Power Requirements:

Input voltage 120 VAC, Current 0.5 A, Frequency 60 Hz

Maximum phones per line - recommended:
10 SUREphones per standard analog POTS line

Physical Dimensions

Sentry II:
-Box 9.5" (24.1 cm) X 4.75" (12.1 cm) X 2.0" (5.1 cm)

Liberator II:
-Box 9.5" (24.1cm) X 6.875" (17.5cm) X 1.0" (2.6cm)

Fortress II:
-Front Plate: 12.5" (31.8cm) X 10" (25.4cm) X 0.125" (0.3 cm)
10.5"(26.7cm) X 6.5"(16.5 cm) X 0.125"(0.3cm)
-Rear Enclosure: 9.6"(24.4cm)X 4.63"(16.8cm) X 2.3" (5.8cm)
(Including projecting hardware = 0.2".)
-Rough cut: 10" X 5.5" (25.4cm X 14cm)

Commander II:
-Mounting plate:
Std: 9.5" (24.1cm) X 4.75" (12.1 cm) X 2.0" (5.1cm)
U model: 7" (17.8 cm) X 4.75" (12.1 cm) X 1.5" (38.1 cm)

Weight -Sentry II: 2.5 pounds (5.5 kg)
-Liberator II: 3.2 pounds (7 kg)
-Fortress II: 6.5 pounds (14.3 kg)
-Commander II: 1 pound (2.2 kg)

Optional: Input voltage 12VDC or 24VDC (On request)

**THE INFORMATION BELOW IS IMPORTANT.
YOU MUST HAVE THE SERIAL NUMBER
AVAILABLE WHEN CALLING TECH SUPPORT.**

K-Tech International Inc.
Part # PCB045 Rev. ____

SERIAL #
5 _ _ _ _

Serial Number: _____
Date Installed: _____
Installed by: _____
Phone Line #: _____
Phone line Voltage: 48VDC (POTS or CO line)
 24VDC (PBX System)
 Other _____
Phone Number(s) Dialing:
1. _____
2. _____
3. _____
4. _____
5. _____
Voice message



K-Tech International, Inc

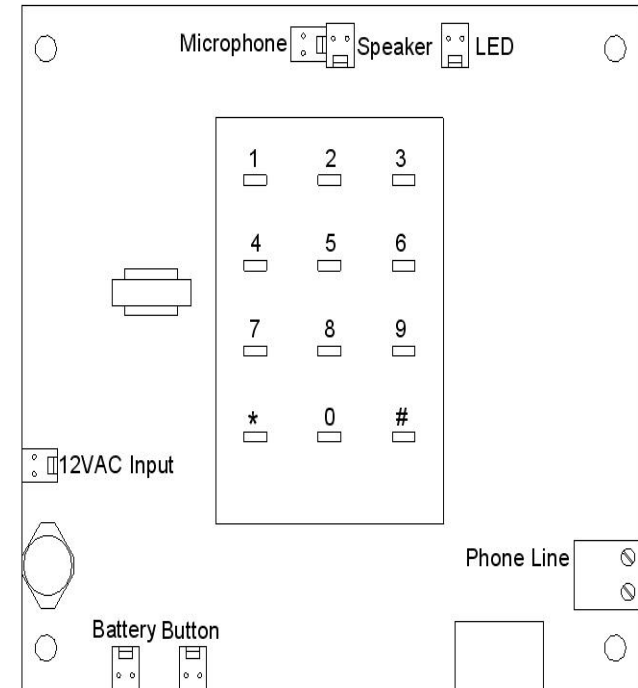
56 Ella Grasso Ave
Torrington, CT 06790 USA

Phone (860) 489-9399
Sales: 1-800-993-9399
Tech Support: 1-888-883-8399
Fax (860) 489-4399

Email: support@KTechOnline.com
Website: www.KTechOnline.com

K-Tech

1-888-883-8399



ET901 Installation Guide

**Keep This Booklet for
Reference**

Additional information is available at
www.KTechOnline.com

READ THIS BEFORE INSTALLING!

Having a proper telephone line and 120VAC power is important to ensure a quick and trouble-free installation.

Please check off and record pertinent information for future reference.

- Record the phone number for the phone line. This is the number that will be needed to call into the K-Tech phone.
- Phone line must be an analog Central Office (CO), Plain Old Telephone Service line (POTS) or Analog Private Branch eXchange (PBX). All special features such as call waiting and call forwarding should be disabled. K-Tech cannot guarantee performance on proprietary PBX, Centrex, DSL or other similarly configured lines.
- Phone line must be a DTMF line with dial tone.
- Phone line voltage between 24 - 51 volts.
- Phone line amperage - 20 mA minimum.
- No other equipment should be sharing the phone line. (This is a safety code requirement in some areas. Check your local code.) Example - Fax, modem, etc.
- The phone line should be equipped with a CPC or wink signal in order for the phone to shut off when the operator hangs up. Note: most PBX systems do not provide this signal— program timer minutes.
- Phone wire should be twisted shielded pair in the traveling cable and other places where possible. 18 - 22 AWG size recommended. Shielding should be grounded at one end only.
- The line should be properly grounded and protected by the phone company against voltage surges such as lightning strikes. Extra protection may be required in the machine room or if on a PBX system.

MOUNTING, WIRING, and SET-UP

Tools required:

Flathead screwdriver/Philips screwdriver
Drill for # 8 sheet metal screw
1/4" nut driver (Fortress), wirecutter/stripper
Wire Crimpers for AC terminals

MOUNTING



ET901A



ET901A-LPSS



ET1901A



ET901A-OEM



ET901A-OEMU
Universal

Sentry and Liberator (Surface Mount):

- A. Remove the phone's rear enclosure.
- B. Using the rear enclosure as a template mark the mounting screw hole locations.
- C. Drill holes for the #8 screws (included).
- D. Mount the back cover to the mounting surface placing the **ground lug** (included) **under** one of the screws.

Fortress (Flush Mount):

- A. Determine the location for the K-Phone front plate on the car station panel or other suitable surface.
- B. Cut out a 10" high X 6" wide opening to allow for the dust cover.
- C. Position the unit in the hole and use the face plate as a template to locate the mounting screw holes.
- D. Drill holes for the # 8 screws (included).
- E. Remove the dust cover from the back of the Fortress plate by removing the two nuts and lock washers.

Commander (COP Mount):

- A. If studs are not present, use the plate as a template to mark the stud locations. Install studs.
- B. Mount the OEM plate to the panel. Make sure the cover is as tight to the panel as possible to avoid feedback and oscillations (squealing) between the microphone and speaker.
- C. Connect the remote push-button (not included) to the appropriate wire going to the phone board receptacle marked BUTTON.
- D. Install the included LED(s) or connect the remote light to the appropriate wire going to the phone board receptacle marked LED.

WIRING and SET-UP

1. CONNECT THE (RED) TRANSFORMER WIRES TO 120VAC POWER PER LOCAL ELECTRICAL CODE. Butt connectors are supplied. Phone should reply: "SUREphone—Power installed"
2. Hook up phone line.
3. Check all plugs to be sure they are seated: LED, speaker, button, microphone, AC power and battery.
4. For programming and testing see program guide.
5. Remount dust cover to back of phone or mount phone to enclosure as required.

Battery will be fully charged 48—72 hours after the phone is installed on 120VAC, depending on state of charge when received.

Multiple Phones on a Single Line:

When installing multiple phones on a single line, the phone line wires are wired in parallel. K-Tech recommends a terminal block rather than wire nuts for the junction(s).

NO CPC SIGNAL? (PBX/Ringdown Systems)

If there is no CPC signal then the phone needs to be shut off manually by pressing * # or by the built in timer (Feature 4, * 4, Default = 05 or 5 minutes)

FCC Information

The K-Tech ET901 Series meets FCC 15 and 68 standards, IC and ETL approval.

FCC Registration # ERC-USA-32789-TE-T
REN (Ringer Equivalence Number) 0.0

NOTICE: IMPORTANT NiCad BATTERY INFORMATION

Never dispose of a NiCad battery in a fire. This may cause an explosion. NiCad rechargeable batteries must be recycled or disposed of properly as indicated on the sticker on each battery. If battery is broken or shows signs of leakage do not attempt to charge it. NiCad batteries are capable of delivering high currents when accidentally shorted.

